

Multi Gas Detector



BX616 Portable Multi-gas Detector

FEATURES

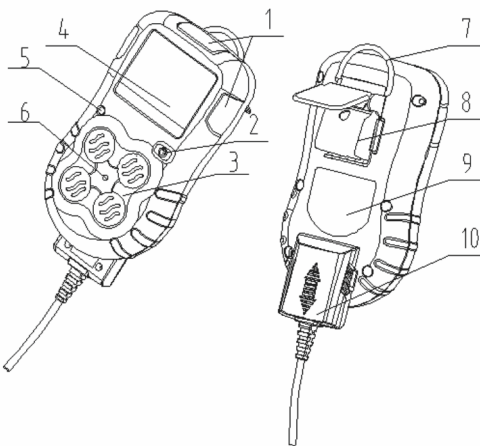
- Small size and light-weight
- Simple operation with only 1 button
- Adjustable alarm levels and span calibration value
- STEL and TWA alarm for toxic gases
- Self protection for combustible gas sensor against high concentration
- Battery low voltage alert
- Confidence beep
- Self-test after power on
- Self-diagnostic and self-correction function

APPLICATION

Steelworks, petrochemical plant, oil industry, shipbuilding yard, sewage treatment plant, mine, power supply works, confined spaces etc.


BX616 is a multi-gas detector which can detect the combustible gases, O₂, CO and H₂S gases in the air. Its functional and watertight design (IP 66) incorporates a Bump proof, rubberized housing to meet the toughest requirement of harsh environment like underground tunnels, mines etc.

APPEARANCE



- | | |
|--------------------|----------------------------------|
| 1. Alarm indicator | 6. Calibration cap fasten hole |
| 2. Button | 7. Hand strap |
| 3. Sensor channel | 8. alligator clip |
| 4. Display screen | 9. Label |
| 5. Buzzer | 10. charging/ communication port |

SPECIFICATIONS

Measuring gas	O ₂	CO	H ₂ S	Combustible	Working temperature	Toxic gases: -20°C ~ 50°C Combustible: -40°C ~ 70°C
Measuring range	0-25%VOL	0-500ppm	0-100ppm	0-100%LEL		WorkinAg humidity
Sensor type	Electrochemical			Catalytic	Housing	Rubber enclosure
Measuring type	Diffuse naturally				Standard accessories	Operation manual, calibration cap, charger, screwdriver, USB cable
Response time	T ₉₀ <30s					
Display	LCD screen				Ingress protection	IP66
Audible	≥80dB at 1m				Ex grade	 II 2G Ex ia IIC T4 Ga or II 2G Ex db ia IIC T4 Gb
Alarm method	Visual, audible and vibrative signals					
Battery	DC3.7V 1800mAh Lithium battery					
Operating life	≥8h per charge (Charging time: 4-6h)					
Event log	2000 events					

Welcome to Hanwei !



汉威科技集团股份有限公司
Hanwei Electronics Group Corporation

ADD: No.169 Xuesong Road, National&HighTech Zone,
Zhengzhou 450001, Henan, China P.C: 450001

www.hwsensor.com
TEL: 86-371-67169070 / 80
FAX: 86-371-67169090
E-mail: sales@hwsensor.com