

## Fixed Gas Detector

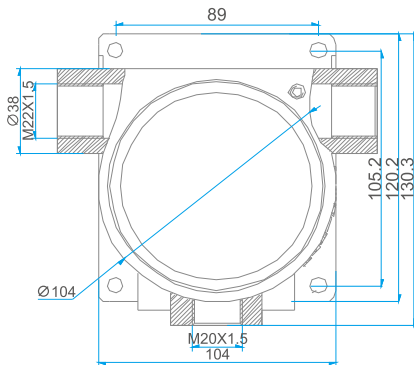


**SIL II**

### APPLICATION

Steelworks, Petrochemical plants, Shipyards, Water treatment plants, Mines, Power plants, Food industry etc.

### DIMENSION DRAWING



### BS03 Fixed Gas Detector

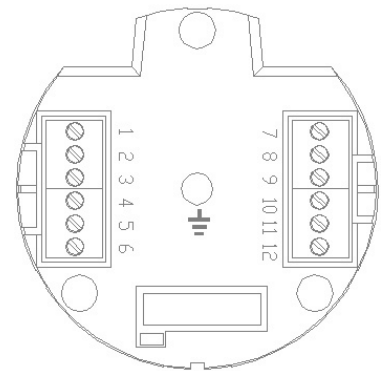
BS03 is a fixed gas detector installed in a place where potential gas hazard exists to measure oxygen, toxic gas and combustible gas. It shows not only the concentration of gas but also diagnostic result of the unit itself through the LED screen and LED lights and can be connected to the control panel with a standard 4-20mA analog output.

### FEATURES

- BS03 measures the concentration of the flammable gas, toxic gas, oxygen and VOCs
- Explosion proof structure.
- Water and dust proof design
- Segment display to indicate readings in 4 digits.
- 3 LED lights to indicate Fault, Low alarm and High alarm
- IR remote control for setting and calibration.

### WIRING TERMINAL DIAGRAM

NO.	Mark	Function	Spec
1	L-Alarm	Low alarm output	Switching value
2	L-Alarm	Low alarm output	
3	24V	Power input	DC24V±25%
4	GND	Power input	
5	Iout	Current output	4 ~ 20mA
6	NC	—	—
7	H-Alarm	High alarm output	Switching value
8	H-Alarm	High alarm output	
9	24V	Power input	DC24V±25%
10	GND	Power input	
11	Iout	Current output	4 ~ 20mA
12	NC	—	—



### SPECIFICATIONS

Measuring gas	Combustible	Catalytic sensor / NDIR sensor	Response time	Catalytic sensor: T90≤30s Electrochemical: T90≤60s NDIR sensor: T90≤10s PID sensor: T90≤10s
	Toxic gas & O2	Electrochemical sensor		
	CO2 gas	NDIR sensor		
	VOCs	PID sensor		
Measuring range	Refer to our gas list		Mounting type	Wall mounted
Measuring accuracy	±5%F.S.		Working temperature	Toxic gas: -20°C ~ +50°C Combustible: -40°C ~ +70°C
Sensor life	Catalytic sensor: 3 years		Working humidity	≤95%RH (no condensation)
	Electrochemical: 2 years (1 year for O2 sensor)		Operation voltage	DC24V±25%
	NDIR sensor: 5 years		Consumption	<2W
	PID sensor: 0.6 to 1 year		Ingress Protection	IP65
Measuring type	Diffuse naturally		Housing material	Chamber: Aluminum alloy Sensor cover: Stainless steel
Signal output	4-20mA			
Alarm output signal	2 programmable relays		Dimension and weight	162mm*208mm*103.5mm, about 2.1kg
Cable / distance	1.5 MM <sup>2</sup> , 3 wire, shielded, 1000m (maximum)			
Conduit connection	G3/4"		Approval	Ex II 2G Ex db IIC T6 Gb

**Welcome to Hanwei !**



**汉威科技集团股份有限公司**  
**Hanwei Electronics Group Corporation**

ADD: No.169 Xuesong Road, National & High Tech Zone,  
Zhengzhou 450001, Henan, China P.C: 450001

www.hwsensor.com

TEL: 86-371-67169070 / 80

FAX: 86-371-67169090

E-mail: sales@hwsensor.com